

# Frame Kit (T) Installation Instructions

Retractable Insect Pleated Screen

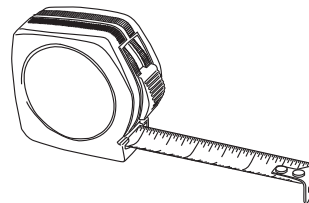
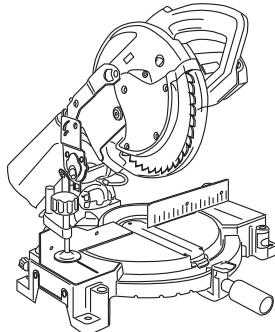
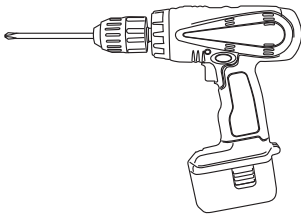


Read Installation Instructions carefully before proceeding  
Ensure that Installation Instructions remain with Householder

 **WARNING**  
Screen will not stop children from falling out window  
Keep children away from open window  
A safety initiative from the Australian Window Association

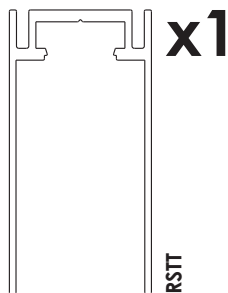
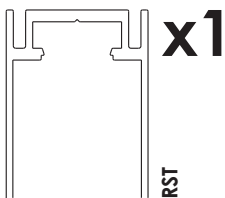


## Recommended Tools



NOTE: SHARP ALUMINUM BLADE ONLY

## "T" Kit Components

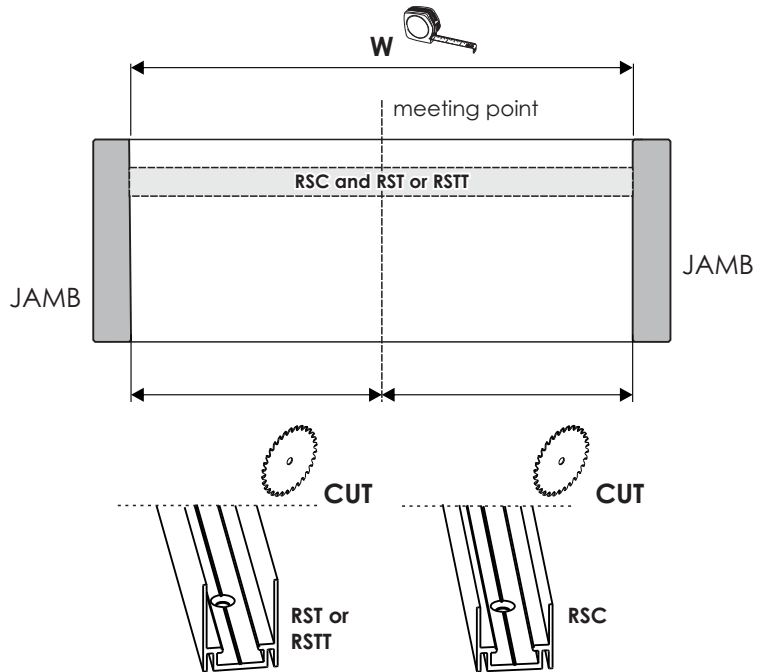
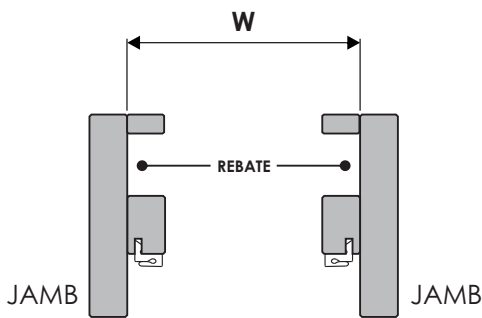


**NOTE: ALL DIMENSIONS mm [inches]**

### Cutting RSC and RST or RSTT

Measure the internal frame opening width (**W**).

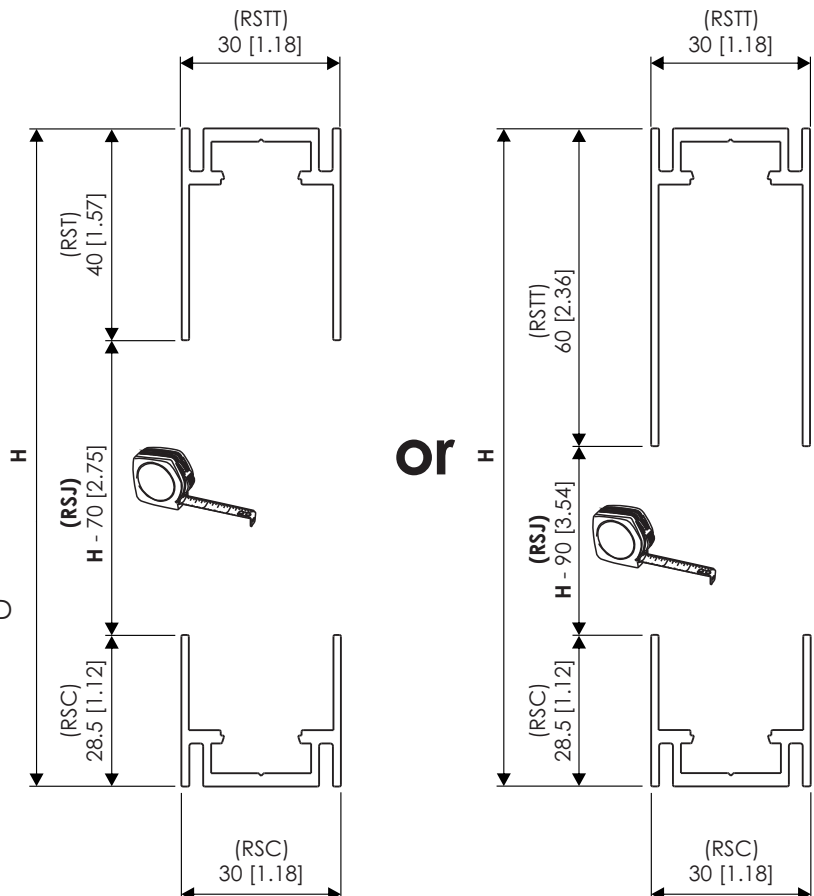
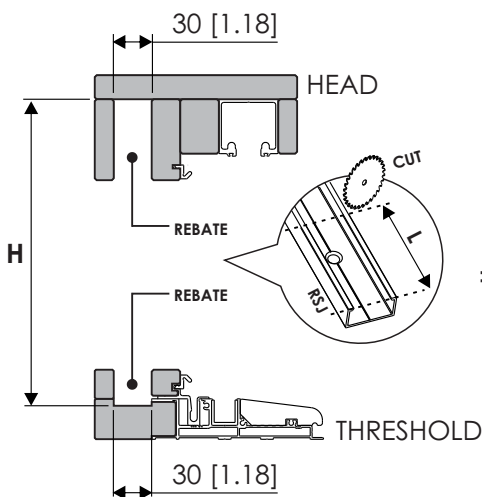
**Note:** Jamb may be rebated (example shown below)  
Depending on the size of the frame RSC, RST or RSTT can be supplied in 2 lengths



### Cutting RSJ | Single or Double Screen

Measure the internal frame opening frame height (**H**).

**Note:** Head and Threshold may be rebated (as shown below)



**Length of RSJ = H - X\***

\* X = 70 [2.76] (RST + RSC + 1.5)

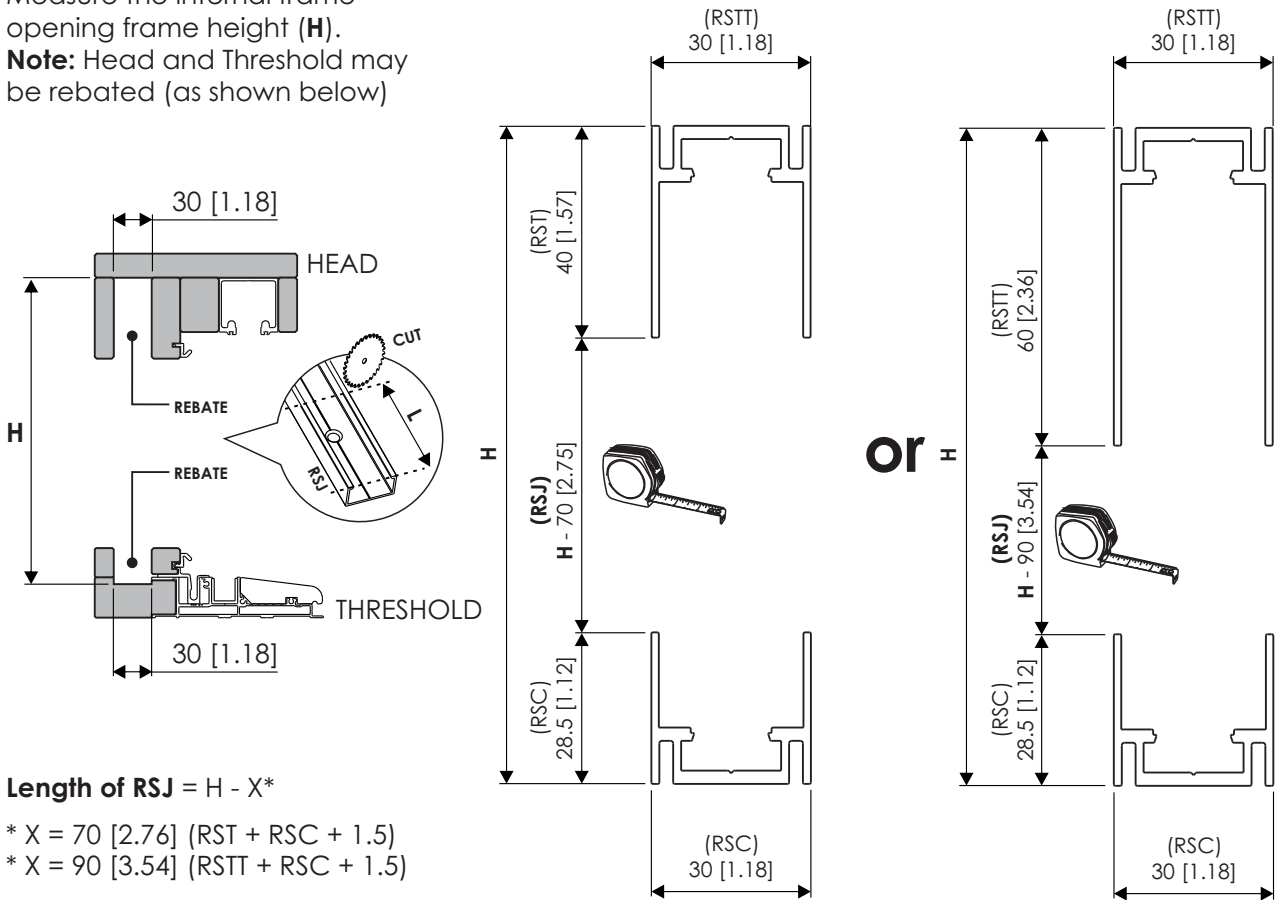
\* X = 90 [3.54] (RSTT + RSC + 1.5)

**Note: For Double Screen Install, 2 RSJ Extrusions are to be cut and installed**

## Cutting RSJ | Corner Double Screen

Measure the internal frame opening frame height (**H**).

**Note:** Head and Threshold may be rebated (as shown below)



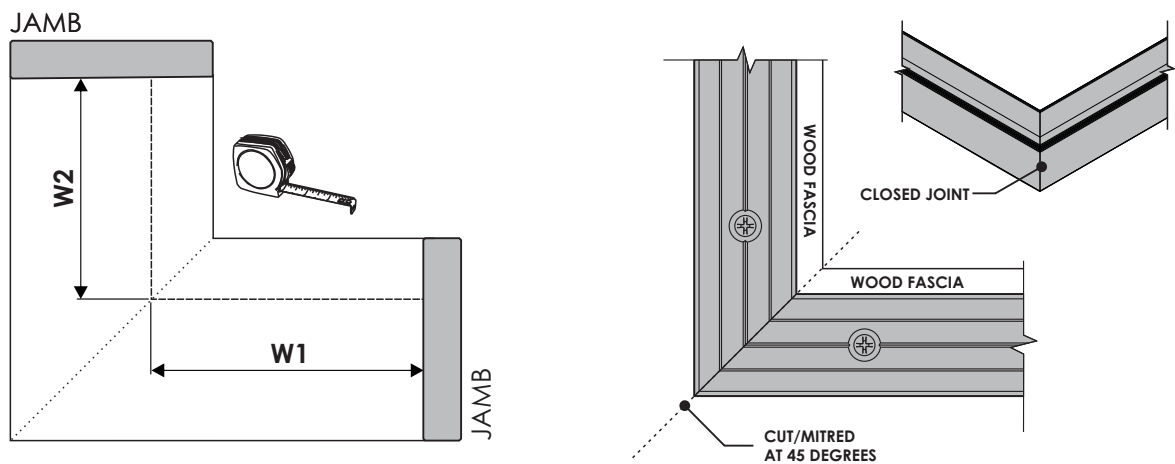
Length of RSJ =  $H - X^*$

\*  $X = 70 [2.76] (RST + RSC + 1.5)$

\*  $X = 90 [3.54] (RSTT + RSC + 1.5)$

**Note:** For Corner Double Screen Install, 2 RSJ Extrusions are to be cut and installed

## Cutting RSC and RST or RSTT | Mitre Joint

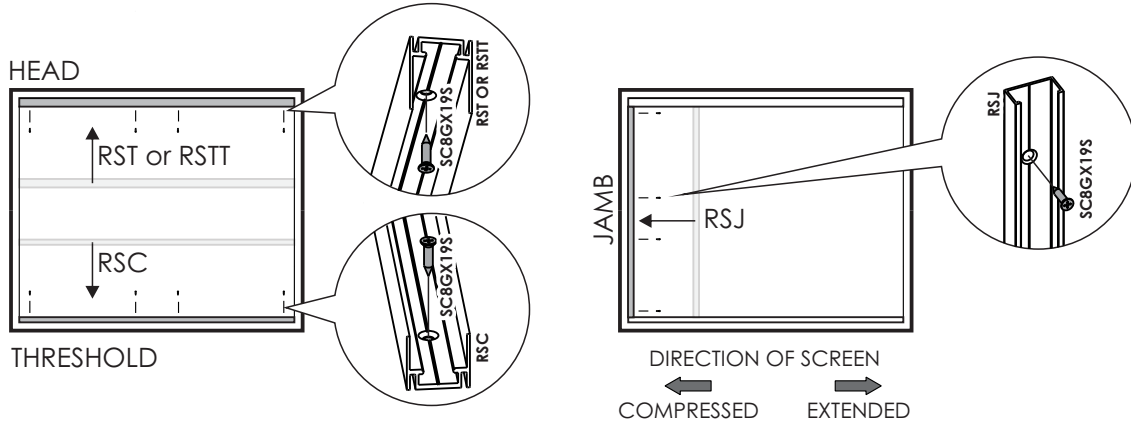


Length of RSC (W2) / RST or RSTT (W2) = W2  
and

Length of RSC (W1) / RST or RSTT (W1) = W1

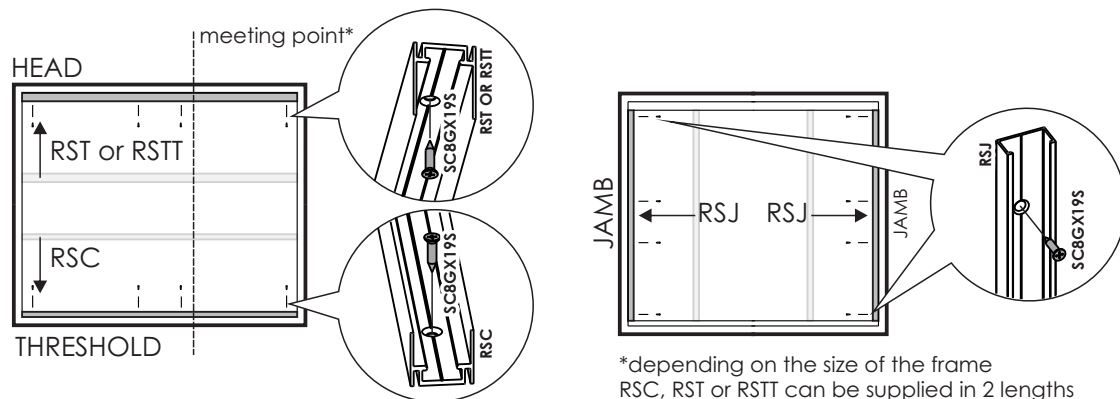
## Fitting Frame | Single Screen

RSC, RST or RSTT and RSJ have been supplied pre-drilled.  
Place profiles into position and screw fix using screws (SC8GX19S)



## Fitting Frame | Double Screen

RSC, RST or RSTT and RSJ have been supplied pre-drilled.  
Place profiles into position and screw fix using screws (SC8GX19S)



## Fitting Frame | Corner Double Screen

RSC, RST or RSTT and RSJ have been supplied pre-drilled.  
Place profiles into position and screw fix using screws (SC8GX19S)

